



High-Performance Type (with output) FGP Series

Extensive measurement functions

USB	Memory 1000	1000 times/sec	RS-232C output	D/A analog output
Comparator	Overload	Reverse display	Push Pull Peak	Hanger
Unit	TORIEMON USB	Free downloads from website		

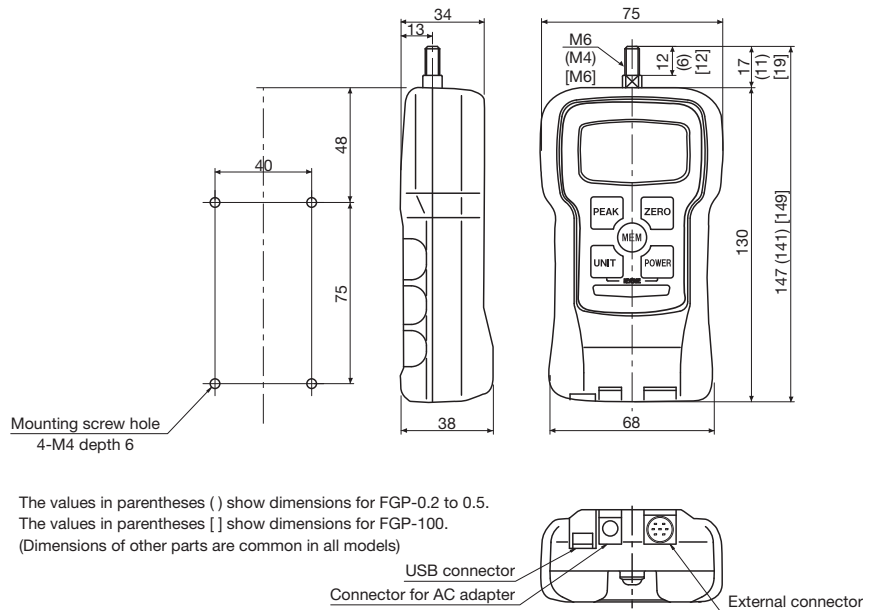
Using with a motorized test stand widens the variety of uses. Test results can be imported to a PC using the specialized software "TORIEMON USB".

- A USB interface makes adoption data import to a PC easy
- Provides 3 memory modes: Continuous, Single, and Standard
Up to 1000 sets can be stored (continuous memory mode)
- Widens the variety of measurements when used with a motorized test stand
- Equipped with a comparator function
- Setting upper and lower limit values enables acceptance of measurement values judgment

Model	Maximum load	
FGP-0.2	±2.000N	0.2kg
FGP-0.5	±5.000N	0.5kg
FGP-1	±10.00N	1kg
FGP-2	±20.00N	2kg
FGP-5	±50.00N	5kg
FGP-10	±100.0N	10kg
FGP-20	±200.0N	20kg
FGP-50	±500.0N	50kg
FGP-100	±1000N	100kg

Dimensional drawing

(mm)



The values in parentheses () show dimensions for FGP-0.2 to 0.5.
The values in parentheses [] show dimensions for FGP-100.
(Dimensions of other parts are common in all models)

Specifications

Model	FGP-0.2	FGP-0.5	FGP-1	FGP-2	FGP-5	FGP-10	FGP-20	FGP-50	FGP-100	
Rated capacity (R.C.) ^{Note 1)}	±2.000N (±200.0g)	±5.000N (±500.0g)	±10.00N (±1000g)	±20.00N (±2.000kg)	±50.00N (±5.000kg)	±100.0N (±10.00kg)	±200.0N (±20.00kg)	±500.0N (±50.00kg)	±1000N (±100.0kg)	
Available display range	±2.000N (±200.0g)	±5.000N (±500.0g)	±10.00N (±1000g)	±20.00N (±2.000kg)	±50.00N (±5.000kg)	±100.0N (±10.00kg)	±200.0N (±20.00kg)	±500.0N (±50.00kg)	±1000N (±100.0kg)	
Display resolution	0.001N/0.1g		0.01N/1g	0.01N/0.001kg		0.1N/0.01kg		1N/0.1kg		
Unit	Unit change between N and kg (g) (reverse display available)									
Measurement method	Normal measurement, plus peak measurement, minus peak measurement									
Display cycle	1 time/sec, 2 times/sec, 3 times/sec, 5 times/sec, 10 times/sec, 20 times/sec									
Sampling cycle	1000 times/sec ^{Note 2)}									
Accuracy	±0.2%R.C. and ±1/2digit (at 23°C)									
Display	Number display/Unit display	Signed 4-digit display (Font height: 12mm) Signs can be optionally set for the load direction, reverse display available/3-digit LCD display (Font height: 7mm)								
	Various display	(1)*LO BAT* (low battery voltage) (2)*BAT* (during charging) (3)*OVR* (overload) (4)*PEAK* (peak hold mode)								
Overload capacity	200%R.C.								150%R.C.	
Tracking function	Provided (can be switched ON/OFF)									
Output signal	USB	Provided (PCs can communicate with the unit using the specialized communication software. A connection cable is a standard accessory.) Continuous transmission max. 100 times/sec								
	Other outputs	RS-232C Analog Overload Comparator (only for FGP-□) Other cables including analog cables are optional.								
Power	*AC adapter (DC9V/200mA) or built-in NiMH battery (rechargeable) *Measurement available during charging *Battery operating time: Approx. 8 hours from full charge *Charging time: Max. 16 hours (Automatically ends when fully charged)									
Auto power off function	10 min (The unit can be used while connected to the AC adapter), this function can be disabled.									
Memory function	*Continuous memory 1000 sets/Single memory 100 sets/Standard memory 50 sets (can be switched between the three memory modes) *Equipped with statistics function (max., min., peak, average, standard deviation)									
Comparator function	Available (upper and lower limits)									
Operating temperature (humidity) range	[Temperature]0 to 40°C (No condensation) [Humidity]35 to 85%RH (No condensation)									
External dimensions	Width 75 x Thickness 38 x Length 141mm			Width 75 x Thickness 38 x Length 147mm					Only Length 149mm	
Weight	Approx. 450kg								Approx. 500kg	
Accessories	Measurement adapters (6 types) ^{Note 3)} , hanger, AC adapter, carrying case, USB cable									
Communication software	Specialized communication software (USB compatible) Free downloads from website									

Note 1) R.C.=RATED CAPACITY Note 2) 150 times/sec when the measurement filter (f05) is set to 150msec.

Note 3) M4 measurement adapters are supplied for models of 0.5 or less, and M6 measurement adapters for those of 1 or more.