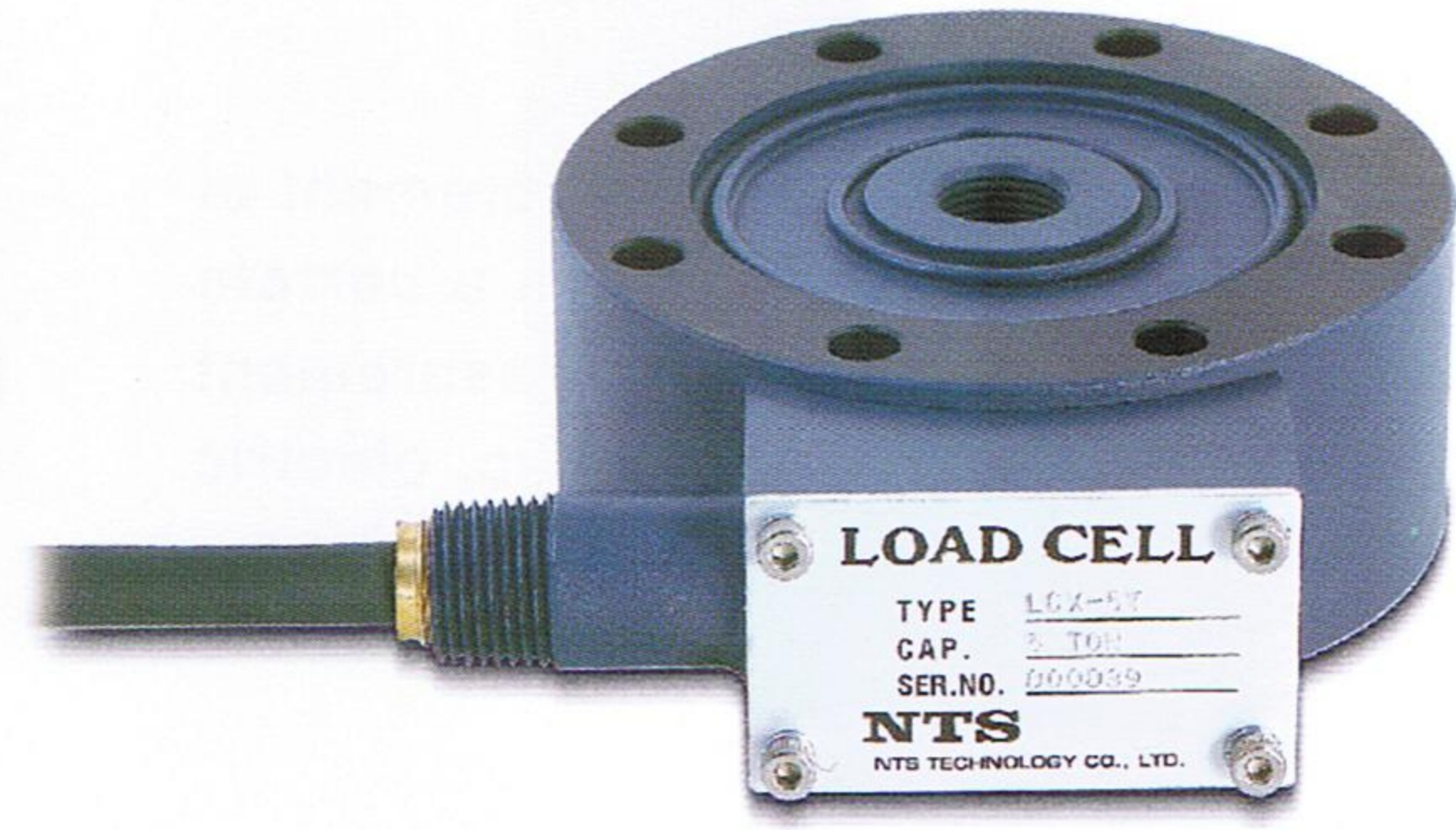


HIGH ACCURACY COMPRESSION TYPE LOAD CELL

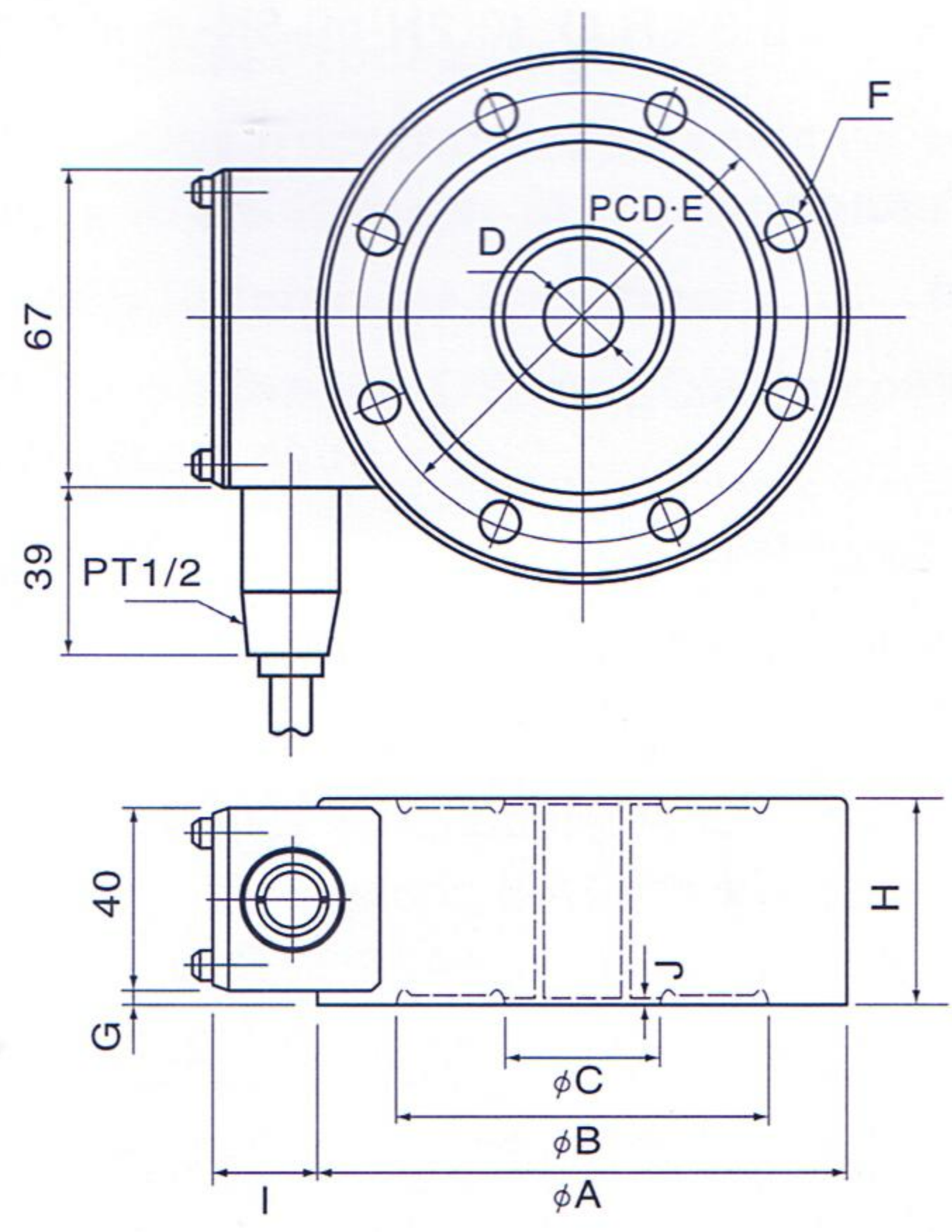
MODEL: **LCX** 0.05% grade

Features

Thin model in spite of high capacity range, with threaded center hole. High precision and high output besides of high toughness against horizontal pressure and twisting momentum.



Outline



Standard Specifications

- Rated Capacity..... 5KN~2000KN
- Rated Output..... 2mV/V± 0.25%
- Non-Linearity..... 0.05%R.O.
- Hysteresis..... 0.05%R.O.
- Repeatability..... 0.03%R.O.
- Recommended Input Voltage..... 10V
- Maximum Input Voltage..... 18V
- Input/Output Resistance..... 350Ω±1%
- Insulation Resistance..... >2000MΩ
- Compensated Temperature Range..... -10~+70°C
- Operating Temperature Range..... -20~+100°C
- Temperature Effect on Zero Balance..... ±0.005%R.O./°C
- Temperature Effect on Rated Output..... ±0.005%/°C
- Safe Overload Rating..... 150%R.C.
- Cable..... φ 10, 4-conductor shielded cable 3m long

Dimensions

MODEL	ITEM	RATED CAPACITY	φ A	φ B	φ C	D	E	F	G	H	I	J	WEIGHT(kg)
LCX-5KN		5KN 0.509tonf	118	82	36	M18 P1.5	100	8-φ9	3	46	(25)	1	3.20
LCX-10KN		10KN 1.019tonf	118	82	36	M18 P1.5	100	8-φ9	3	46	(25)	1	3.20
LCX-20KN		20KN 2.039tonf	118	82	36	M18 P1.5	100	8-φ9	3	46	(25)	1	3.20
LCX-50KN		50KN 5.099tonf	118	82	36	M18 P1.5	100	8-φ9	3	46	(25)	1	3.20
LCX-100KN		100KN 10.19tonf	138	94	48	M24 P2	116	8-φ11	5	50	(25)	1	5.00
LCX-200KN		200KN 20.39tonf	182	126	76	M39 P2	154	8-φ14	10	60	(28)	1	9.65
LCX-500KN		500KN 50.99tonf	226	153	92	M50 P2	190	12-φ18	25	90	(28)	1	21.50
LCX-1000KN		1000KN 101.9tonf	310	200	138	M76 P3	256	8-φ26	35	110	(28)	2	60.00
LCX-2000KN		2000KN 203.9tonf	370	252	160	M100 P3	314	12-φ26	55	150	(28)	2	95.00